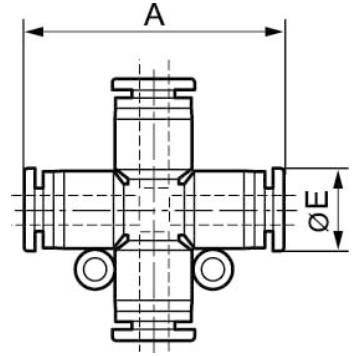


CONEX PUSH FITTINGS

Equal cross - RPX ET



Min / Max operating pressure
0 / 10 bar

Min. / Max temperature
0 / 60 °C

Part number	Dim. A (mm)	Dim. E (mm)
RPX ET0404	35.4	10
RPX ET0505	41	12.8
RPX ET0606	41	12.8
RPX ET0808	45.6	13.8
RPX ET1010	52.6	16.8
RPX ET1212	58.6	19.8